

# T3 Wireless Data Acquisition

(7 inch touch screen, 1 to 256 channels)

## Key Features

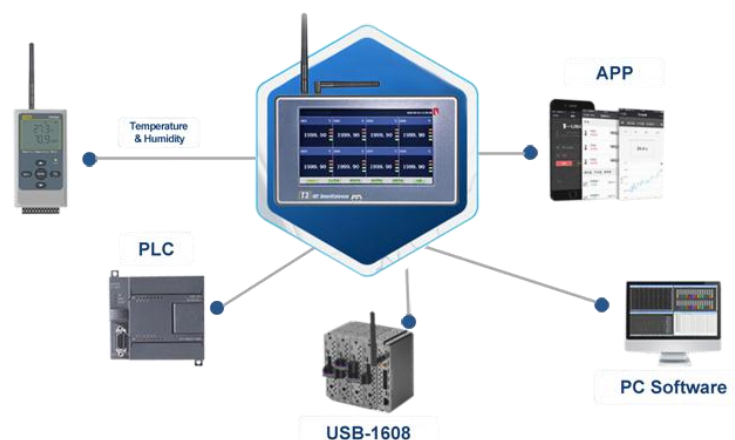
- Unique remote wireless signal acquisition & display
- Support multiple signal input: Voltage, Current, Power, Frequency, Pressure, Temperature, Humidity, Flow, Liquid level, Vibration, Rotating speed etc.
- Support extended to 256 channels
- Fully isolated universal input
- 1S high-speed sampling
- 70MB internal storage
- PC and mobile phone remote monitoring, free IOT platform
- 7 inch color touch screen, RS232, RS485, Ethernet communication interface and USB ports



## Overview

Saluki T3 Wireless Data Acquisition is the unique signal acquisition & display machine without using lines. It integrates the data acquisition, display, built-in data storage, and network connectivity. The device can measure multiple electrical or physical parameters. It also can be easily remotely transmitted wirelessly to PC & mobile phone monitoring.

The T3 wireless DAQ can be extended up to 256 channels with USB-1608 modules. The portable and wireless design is suitable for industrial and laboratory applications.



# T3 Wireless Data Acquisition

(7 inch touch screen, 1 to 256 channels)

## Technical Specifications

Model	T3
Input Signals	Thermocouple: K, R, B, N, E, T, J, S, WRE5-26, WRE3-25 Thermal resistance: pt1000, pt100, cu50 Current (DC): 4-20mA, 0-20mA, 0-10mA Voltage (DC): 0-5V, 0-10V, 1-5V
Number of Channels	1 - 256 (need to use with USB-1608 modules)
Accuracy	$\leq \pm 0.2\% \text{F.S}$
Power Consumption	$\leq 25 \text{ VA}$
Storage Interval	Self-setting from 1s to 19999s
Internal Memory	70MB
Acquisition Mode	Cyclic
Alarm	High & low limit, 4 alarms per channel
Relay	8-channel NO relay 250VAC/3A (optional)
Power Supply	24VDC $\pm 10\%$
Distribution Output	1-channel 24VDC (optional multi-channel 24V or 5VDC output)
Communication	Standard RS232C (optional Ethernet, RS485, USB) Standard Modbus RTU protocol
Temperature	Operating: $-10^{\circ}\text{C}$ to $+50^{\circ}\text{C}$ , Storage: $-20^{\circ}\text{C}$ to $+70^{\circ}\text{C}$
Humidity	Operating: 0 - 80% RH, Storage: 0 - 95% RH (non-condensing)
Dimension	215.6 × 129.4 × 34.5 mm

## Measurement Range

Type	Range	Accuracy	Resolution
$\pm 10\text{V}$	-11.000V to +11.000V	$\pm 0.05\%$ of rdg $\pm 0.0001\text{V}$	0.01V

No.367, Fuxing N. Rd., 105 Taipei, Taiwan Tel: +886. 909 602 109

sales@salukitec.com [www.salukitec.com](http://www.salukitec.com)



# T3 Wireless Data Acquisition

(7 inch touch screen, 1 to 256 channels)

Type	Range	Accuracy	Resolution
±5V	-5.500V to +5.500V	±0.05%of rdg±0.0001V	0.01V
±100mV	-110.0mV to +110.0mV	±0.05%of rdg±0.001mV	0.01mV
0-20mA	0 to +20.00mA	±0.05%of rdg±0.001mA	0.01mA
4-20mA	4 to +21.00mA	±0.05%of rdg±0.001mA	0.01mA
K	-100°C to +1372°C	±0.05% of rdg. ±0.5°C	0.01°C
J	-100°C to +1200°C	±0.05% of rdg ±0.6°C	0.01°C
E	-100°C to +1000°C	±0.05% of rdg ±0.6°C	0.01°C
T	-100°C to +400°C	±0.05% of rdg ±0.5°C	0.01°C
N	-100°C to +1300°C	±0.05% of rdg ±0.6°C	0.01°C
w	0°C to +1500°C	±0.05%of rdg ±0.8°C	0.01°C
	+1500°C to +2315°C	±0.05%of rdg ±1.1°C	0.01°C
R	0°C to +300°C	±0.05%of rdg ±1.6°C	0.01°C
	+300°C to +1768°C	±0.05%of rdg ±0.9°C	0.01°C
S	0°C to +300°C	±0.05%of rdg ±1.6°C	0.01°C
	+300°C to +1768°C	±0.05%of rdg ±0.8°C	0.01°C
B	+400°C to +600°C	±0.05%of rdg ±1.7°C	0.01°C
	+600°C to +1820°C	±0.05%of rdg ±1.0°C	0.01°C
pt100	-200°C to +600°C	±0.05% of rdg ±0.3°C	0.01°C
pt1000	-50°C to +150°C	±0.05% of rdg ±0.3°C	0.01°C

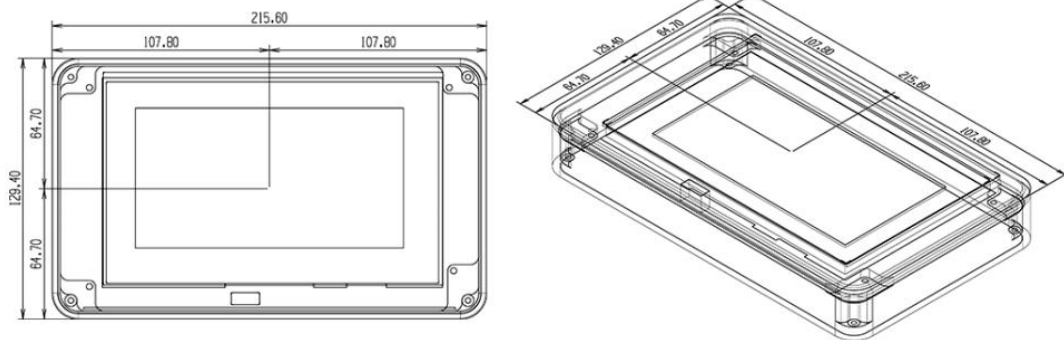
## Note:

- Warm-up time: more than 30 minutes. Thermocouple measurement includes cold junction compensation accuracy.
- Standard operating state: temperature 25±3°C, humidity 55±10%RH.
- Environmental adaptability, the operation temperature is -20°C to +50°C.
- The operation humidity is 0 to 85%RH (no condensation).

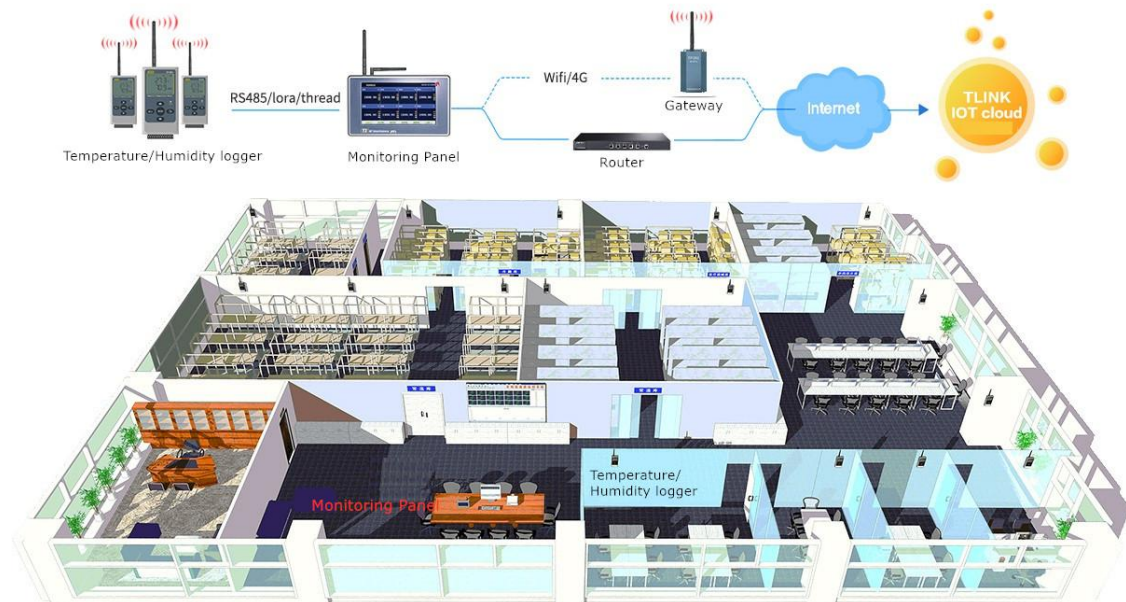
# T3 Wireless Data Acquisition

(7 inch touch screen, 1 to 256 channels)

## Physical Dimensions



## Applications



**Note:** Information will conduct the necessary updates, the contents of this document are subject to change without notice.

No.367, Fuxing N. Rd.,105 Taipei,Taiwan Tel: +886. 909 602 109  
sales@salukitec.com [www.salukitec.com](http://www.salukitec.com)

